



Land Solutions

Sea Solutions

Air Solutions



IridiTRAK

GPS/Satellite Alert/Tracking

RST430



Short Burst
Data



Tracking



GPS



IridiTRAK

RST430

- Global Coverage
- Sensitive In-built GPS Engine
- Remotely configurable



IridiTRAK is an advanced global alert and monitoring device that enables assets, vehicles or vessels to be tracked anywhere on the globe via GPS and the Iridium satellite network.

The in-built SuperSense GPS and in-built Iridium SBD (Short Burst Data) transceiver module enables pinpoint location accuracy and simple messages to be sent for periodic position reporting as well as alert reporting anywhere anytime.

There is a range of events that can be configured on the IridiTRAK device as well as power saving and sleep modes for maximizing operational life in battery operated modes.

Tracking and alert messages sent via the Iridium system can be delivered to an email address or via direct IP connection, which is generally the most reliable source.

IridiTRAK supports 9 – 32V DC power input, multiple IO for various alert buttons or a man down device and has power saving modes for specific installation whereby only an alert will wake up the transceiver module.

The terminal is remotely configurable to change the periodic reporting time or to reset alarms as required. These functions are all pass code protected. IridiTRAK also integrates seamlessly with Beam's LeoTRAK-Online global tracking system.



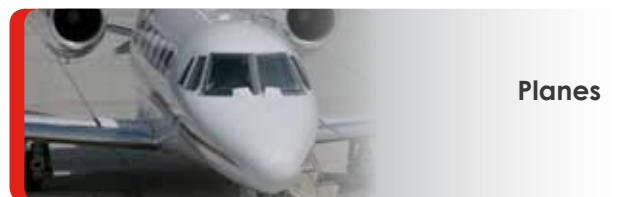
Fleet Management



Heavy Trucks



Trailer and Motor Homes



Planes

KEY FEATURES

- ▶ In-built transceiver Iridium 9601 SBD module
- ▶ In-built GPS
- ▶ Global coverage
- ▶ Alert button loops x 2
- ▶ Power saving modes
- ▶ Supports Man Down device
- ▶ Support alert buttons
- ▶ 100% Global Coverage
- ▶ Fully Certified, Iridium, RoHS, CE

- ▶ Alarm acknowledgement configurable
- ▶ Analogue Input
- ▶ Digital IO
- ▶ Multiple alert notifications
- ▶ Support simultaneous tracking
- ▶ Simple Installation / configuration
- ▶ Local & remote configuration
- ▶ Sleep mode – low power usage
- ▶ Remote LED output (Alert)



Short Burst Data

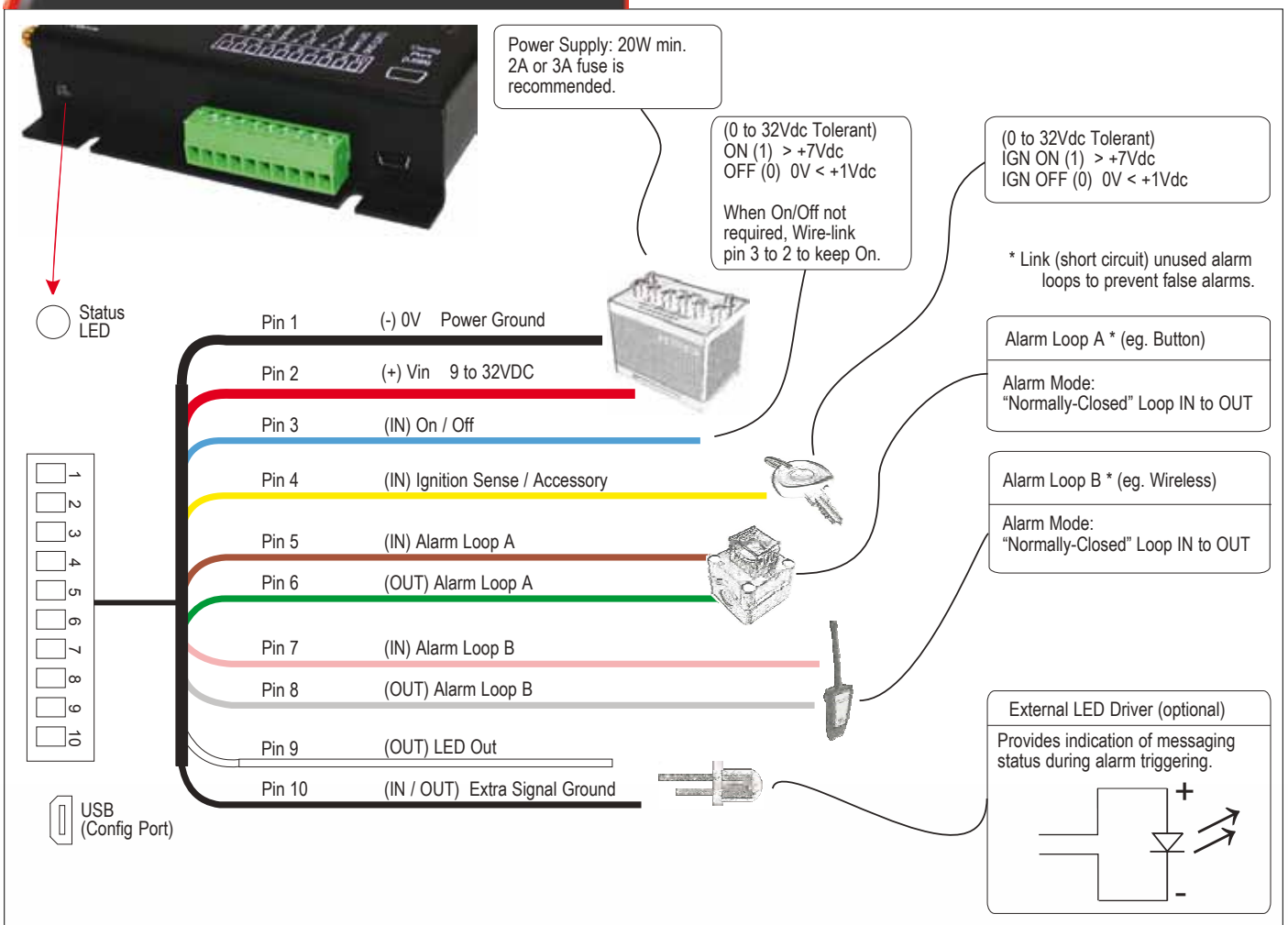


Tracking



GPS

HFI CONNECTIONS



TECHNICAL SPECIFICATIONS

POWER SPECIFICATIONS

Power input voltage	9 - 32VDC, 2A
Idle (registered) Mode	1.5 W
Transmit Mode	1.8W
Sleep mode	20mA Current (0.02A)

ENVIRONMENT SPECIFICATIONS

Temperature	Degrees °C	Degrees °F
Operating Range	-30 to +70	-22 to +158
Storage	-35 to +85	-31 to +185
Humidity	85% non condensing	
Atmospheric Protection	Conformal Coating to Circuit Board	

I/O SPECIFICATION

2x Alarm Loops (2 inputs and 2 outputs)	Alarm Mode "Normally Closed" Loop IN to Out upto 500m cable run / multi-but- tons
Ignition/Accessory Sense and ON/OFF inputs	(0 to 32V DC Tolerant) High (1) > -7V DC Low (1) 0V < +1V DC

GPS MODULE

Receiver Type	16 Channel - antaris4 positioning L1	
Max Navigation update Rate	4Hz (default 1Hz)	
Accuracy	Position 2.5m CEP ²	5.0m SEP ³
Acquisition	Cold <41s / Warm <33s / Hot <3.5s	
Antenna Supply	3.3V DC	
Antenna connector	SMA Female Socket - 50 ohms	
Operational Limits	Altitude 18,000m	Velocity 515m/s

PHYSICAL SPECIFICATIONS

	Unit Only	Packed
Dimensions - mm	114 x 104 x 26	335 x 228 x 69
Dimensions - inches	4.5 x 4.1 x 1.1	13.2 x 11.3 x 2.7
Weight - kg	0.3	1.0
Weight - lbs	0.66	2.2

CERTIFICATIONS

CE
C-Tick
A-tick #N13271
IEC60945:2002 (Sections 9 & 10)
Fully RoHS compliant EU2002/95/EC (All 6 substances)
Iridium Approved
Safety - Low Voltage Directive - IEC/EN/AS/NZ 60950-1
Flame Retardant - UL94.0

KIT CONTENTS

Main RST430 - IridiTRAK unit
Main Power Loom
USB Configuration Cable
Installation & User manual
Quick Start Guide

ADDITIONAL INTERFACE

USB Config port	5-Pin Mini-B Female socket
-----------------	----------------------------

ACCESSORIES

RST702	Mast / Pole Mount Antenna
RST703	Bulkhead Patch Antenna
RST704	Dual Mode Aero Patch (TSO approved) Antenna
RST705	Iridium / GPS Mag Mount Antenna

RST932	6m Iridium Antenna Cable
RST933	12m Iridium Antenna Cable
RST942	6m GPS Antenna Cable
RST923	12m GPS Antenna Cable

APPROVED BEAM RESELLER

www.beamcommunications.com

www.beamcommunications.com



+61 3 8588 4500



+61 3 9560 9055



info@beamcommunications.com